



1-800-779-2102

Mon – Thurs: 8:00am - 5:00pm | Friday: 8:00am - 4:00pm CST

INSPECT YOUR PRODUCT FOR DAMAGE & MISSING PARTS BEFORE PROCEEDING TO INSTALLATION

PROCEDURE FOR RETURNS OR MISSING HARDWARE

-PLEASE CONTACT THE ORIGINAL POINT OF PURCHASE FOR:
SHIPPING DAMAGE, RETURNS, OR WARRANTY CLAIMS

-CONTACT DEE ZEE DIRECTLY FOR MISSING PARTS OR HARDWARE

WWW.DEEZEE.COM

REGISTER YOUR PRODUCT ONLINE: www.deezee.com/registration

VIEW INSTRUCTIONS ONLINE: www.deezee.com/instructions

⚠ WARNING: Cancer and Reproductive Harm
www.P65Warnings.ca.gov

Operating, servicing, and maintaining a passenger vehicle can expose you to chemicals such as lead, phthalates, engine exhaust, and carbon monoxide that are known to the State of California cause cancer and birth defects or other reproductive harm. To minimize exposure, service your vehicle and its accessories in a well-vented area and wear gloves or wash your hands frequently.



DEE ZEE, INC. WARRANTY AGREEMENT

Dee Zee, Inc. guarantees the original purchaser a limited lifetime warranty against manufacturer defects in materials, workmanship, and design under normal use, excluding damage resulting from road hazards such as gravel or other debris, product misuse, improper installation, impairments from accidents, product modifications, improper repairs, spills, vandalism, product neglect, or acts of God.

This warranty applies only to the original purchaser of new product(s) and is limited to the replacement of genuine Dee Zee products. Modification of any kind to Dee Zee products voids all warranty coverage. Warranty does not include electrical components, installation, cost of removal, labor, transportation costs, loss of use, inconvenience, or consequential damages.

WARRANTY COVERAGE - MATERIALS & WORKMANSHIP

LIMITED LIFETIME WARRANTY:

- STAINLESS STEEL: Side Steps, Grill Guards, Bull Bars, Bed Caps, and Side Rails
- ALUMINUM: Side Steps, Running Boards, Storage Boxes, Transfer Tanks, Bed Protection, Side Rails, Invis-A-Racks, and Cab Racks
- PLASTIC: Storage Boxes
- OTHER: Front and Rear Bumpers

THREE-YEAR WARRANTY:

- POWDER-COATED / E-COATED STEEL: Side Steps, Running Boards, Storage Boxes, Transfer Tanks, Cab Racks, Sport Bar Ladder Racks, Cargo Carriers, Mounting Brackets (NX, Rough Step, and Bumper Guards only)
- OTHER: Tailgate Assist, Bed Mats, Floor Mats, Auxiliary Fuel Connection Kits, and All Products Not Otherwise Listed Individually

WARRANTY COVERAGE – FINISH PROTECTION

The finish of all Dee Zee products is covered for one-year (1) from the date of purchase. Dee Zee products have a high quality finish that must be cared for and maintained like any other exposed finish on the vehicle. Protect the finish with non-abrasive automotive wax (e.g. Pure Carnauba) on a regular basis. Applying soaps, polishes, or waxes that contain an abrasive compound may scratch the finish and leave the exposed material susceptible to corrosion.

WARRANTY COVERAGE – COMPONENT PARTS

Operational items such as shocks, latches, hinges, and wear items including, but not limited to, mud flaps, step pads, toolbox tray, end caps, hardware, seals, etc. have a one-year (1) warranty. Replacement component parts can be ordered via credit card (MasterCard or VISA) by calling 1-800-779-2102. All replacement parts are non-returnable and non-refundable.

GPI® FUEL PUMPS & ACCESSORIES

All Great Plains Industries (GPI) products, including transfer tank pumps and fuel meters are covered by GPI's warranty policies. Dee Zee's warranty terms do not apply to GPI products. To submit a warranty claim, please contact GPI at 1-800-835-0113 or visit www.gpi.net.

WARRANTY SUBMISSION PROCEDURE

All warranty claims will be initiated at the place of purchase. The original purchaser will be required to present the original sales receipt with purchase date shown and provide photographs of the defect.

In the event the originally purchased product style is no longer available, Dee Zee will warranty the defective part with a current equivalent. If a comparable product is no longer available, the product would be returned to the store of purchase for a refund or the applicable cost difference can be paid to choose an alternate style.

DISCLAIMER

All products are sold as appearance accessories and should not be relied upon as protection for the vehicle or its occupants in the event of an accident. Vehicles equipped with a supplemental restraints system (air bags) deployed by impact and collision avoidance systems should not be modified in any way. Always consult the vehicle manufacturer if you have any questions regarding supplemental restraint systems and sensors.

Buyer must accommodate front and rear sensors during product installation and assumes all risk should these be tampered, rerouted, severed, or disconnected. This includes disabling visual, audio, or vibration alerts into the cab. Buyer assumes all risk and responsibility for wiring any supplemental auxiliary lights.

Buyer assumes all risk, liability, and cost for the installation and use of Dee Zee products. Dee Zee, Inc. assumes no liability for injury, loss, incidental or consequential damages in the event of an accident.



Thank you for choosing Dee Zee to add function and accessorize your vehicle. Dee Zee has been a staple brand in the truck accessory market since 1977 and we hold a reputation of quality manufacturing based in America's Heartland. Our products are born through careful engineering and backed by industry leading warranty programs. We appreciate the opportunity to serve you and your vehicle!

Review the instruction pages in their entirety to prepare the required tools

Warning: Please check for wiring or other obstructions before drilling any holes in the vehicle. If it is necessary to drill any holes, Dee Zee recommends putting a sealant or rust inhibitory around all holes drilled into the body of the vehicle.

It is the sole responsibility of the vehicle owner to check for tire clearance. It is unlawful and dangerous to ride on any external vehicle step while the vehicle is in motion.

Cleaning: To be entitled to all warranty rights offered with the product, Dee Zee steps need to be cleaned regularly with a mild detergent. Do NOT use abrasive cleaners. For stainless steel products, the application of a high grade automotive wax is recommended.

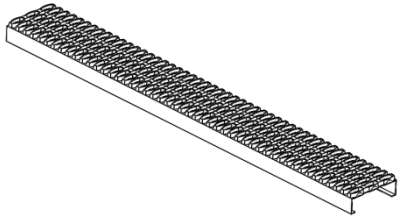
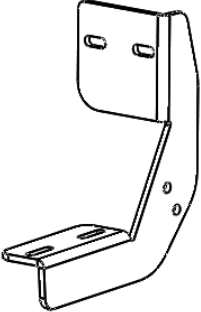
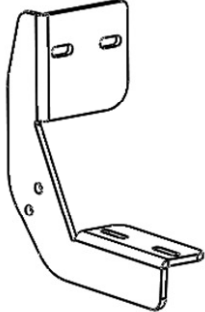
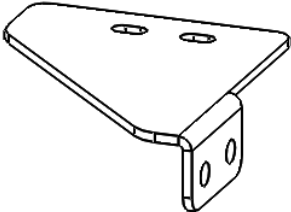
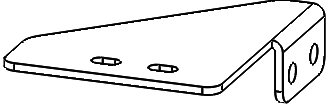
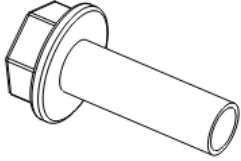
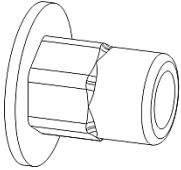
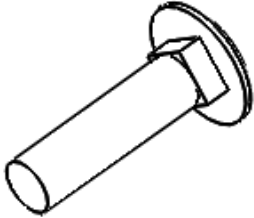


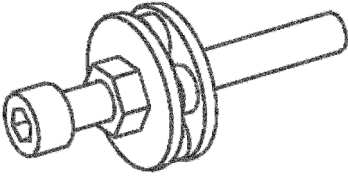
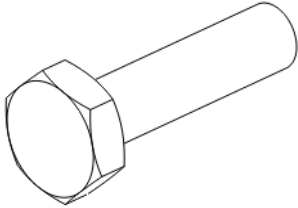


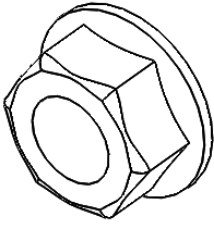
Dee Zee Cares - Please Recycle

For an electronic version of these instructions visit: www.deezee.com/instructions

Register your product online: www.deezee.com/registration

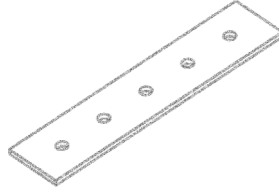
Rough Step Running Board Installation Instructions DZ15336 (2013-Current) Dodge Ram

<p>A Running Board</p>  <p style="text-align: center;">*** BOARDS SOLD SEPARATELY</p> <p>Various SEPARATELY X2</p>	<p>B Left Hand Bracket</p>  <p>B 2373LP X3</p>	<p>C Right Hand Bracket</p>  <p>B 2373RP X3</p>
<p>D Left Hand Support Bracket</p>  <p>B 2267LP X3</p>	<p>E Right Hand Support Bracket</p>  <p>B 2267RP X3</p>	<p>F M8 Bolt</p>  <p>PN 525 X24</p>
<p>G M8 Crimp Nut</p>  <p>PN 686 X12</p>	<p>H 1/4" Carriage Bolt</p>  <p>PN 1093 X12</p>	<p>I 1/4" Flat Washer</p>  <p>PN 72B X48</p>
<p>J 1/4" Hex Nut</p>  <p>PN 71B X30</p>	<p>K Install Tool</p>  <p>PN 685 X1</p>	<p>L 1/4" Hex Bolt</p>  <p>PN 96B X18</p>

M**M8 Nut**

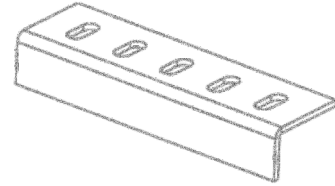
PN 526

X12

N**Strap Bracket**

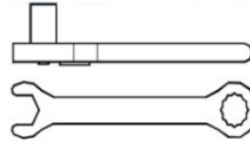
B 1791P

X6

O**Angle Bracket**

B 1792P

X6

Tools Required

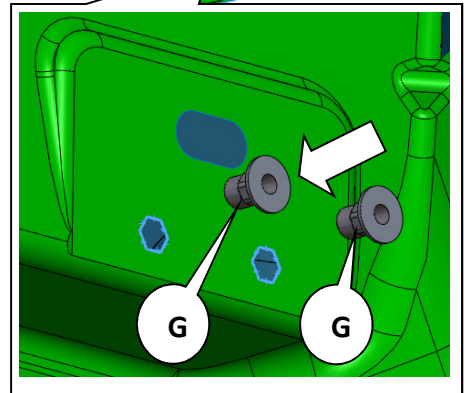
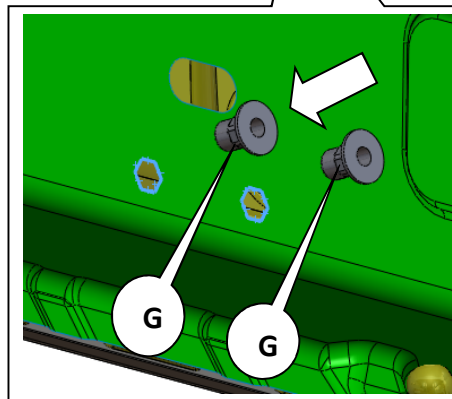
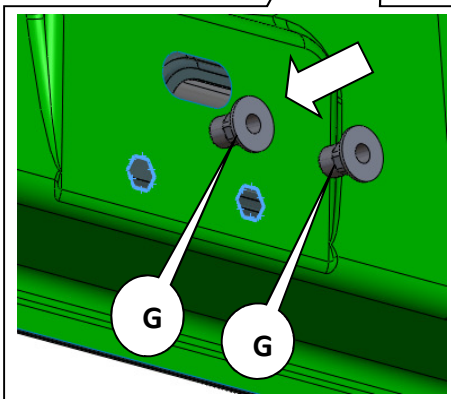
Ratchet / Wrench
13mm / 15mm / 7/16"

1

Install the 8 mm Crimp Nut (G) as shown below.

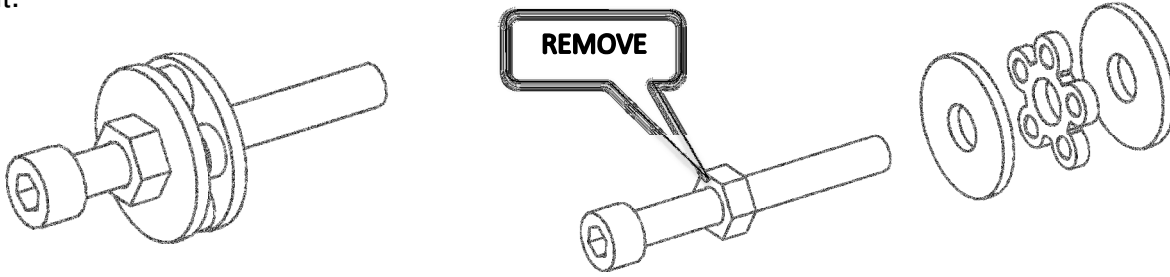
Front
Passenger

**NOTE: FOR REGULAR CAB APPLICATIONS,
MIDDLE BRACKET LOCATION IS NOT AVAILABLE.
PROCEED AS DIRECTED USING FRONT AND REAR
MOUNTING LOCATIONS. EXTRA BRACKETS AND
HARDWARE MAY BE DISCARDED.**



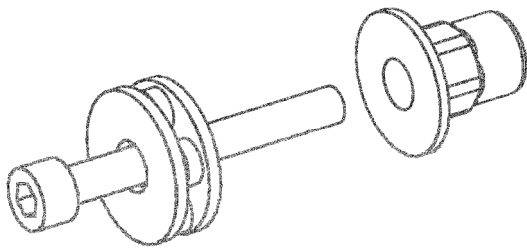
2

Because the nutserts are being installed in a hexagon shaped hole, the nut on the Install Tool (K) is not required. Remove the washers and bearing plate, and then remove the nut from the bolt.



3

Replace the washers and bearing plate. Thread the bolt into a nutserts and tighten with a M6 allen wrench to set the nutserts. Torque the nutserts to the specification below to insure that they are set correctly.

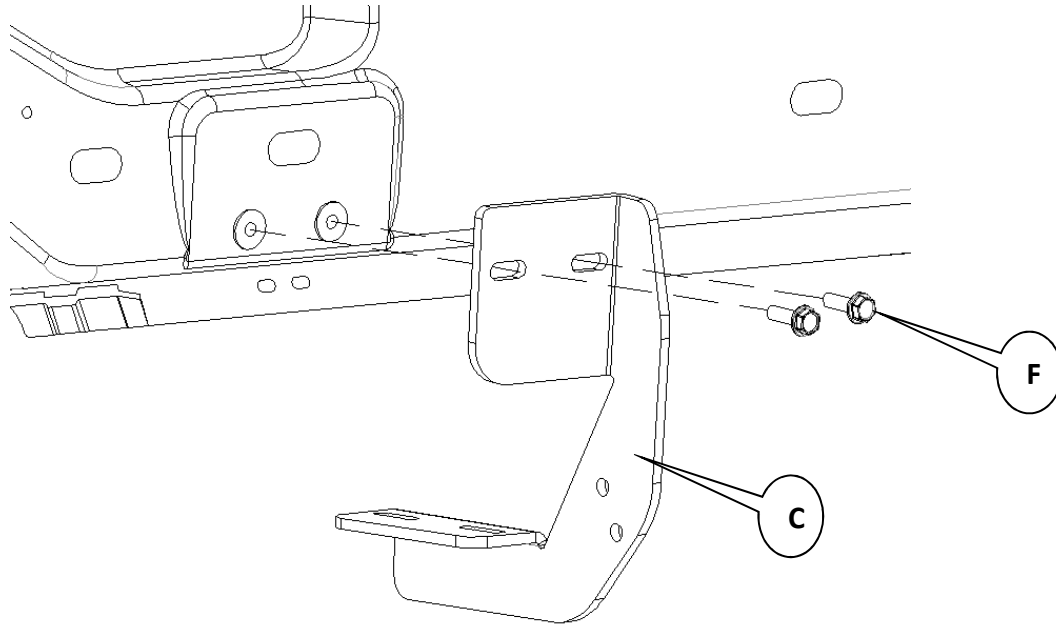


25-30 ft-lbs (34-40Nm)

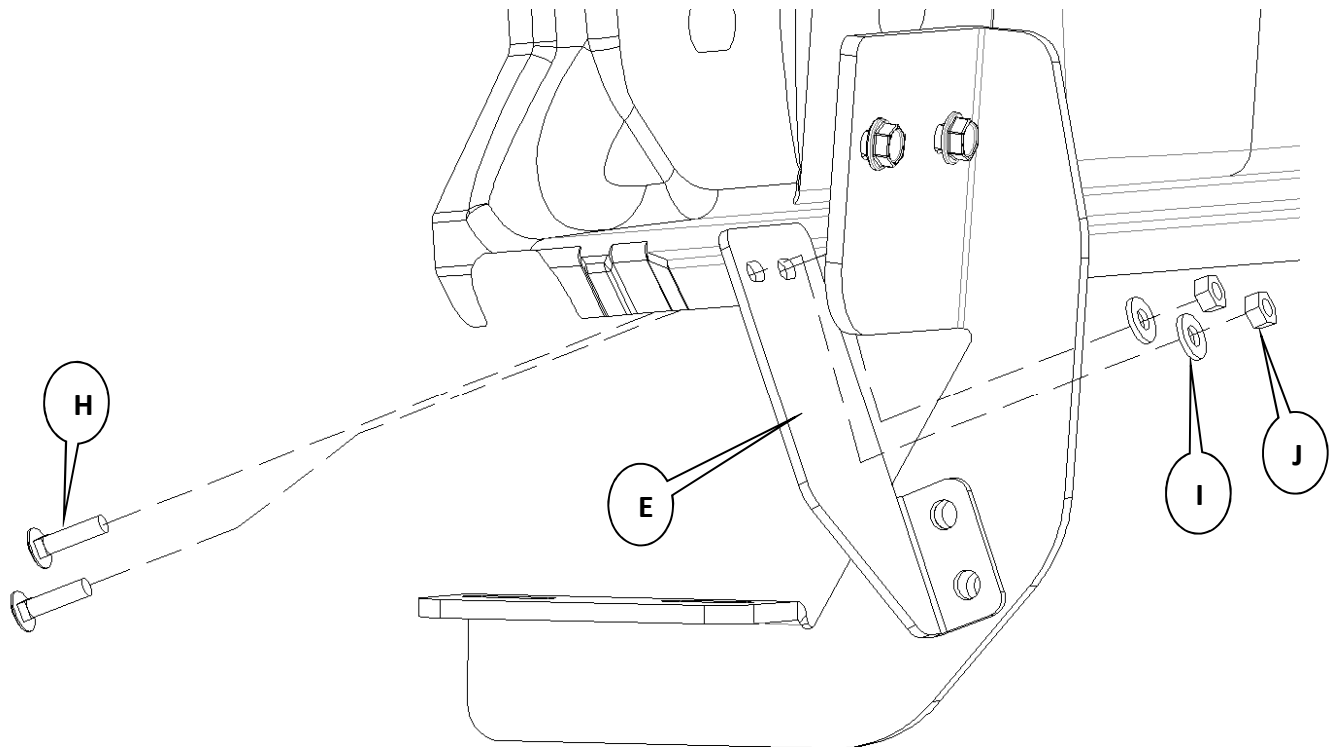
NOTE: ON SOME MODEL YEARS, THERE ARE WELD NUTS INSTALLED IN THE FRONT MOUNTING LOCATION. IF THERE ARE WELD NUTS, THE NUTSERT CAN NOT BE INSTALLED. THE EXISTING WELD NUT WILL BE USED TO INSTALL THE BRACE. INSTALL THE NUTSERTS AT THE MIDDLE AND REAR MOUNTING LOCATIONS.

4

Thread two of the 8mm bolts (F) through the slots in the brace (C) into the nutserts (G) (or weld nuts). Do not completely tighten. The front passenger mounting location is shown.

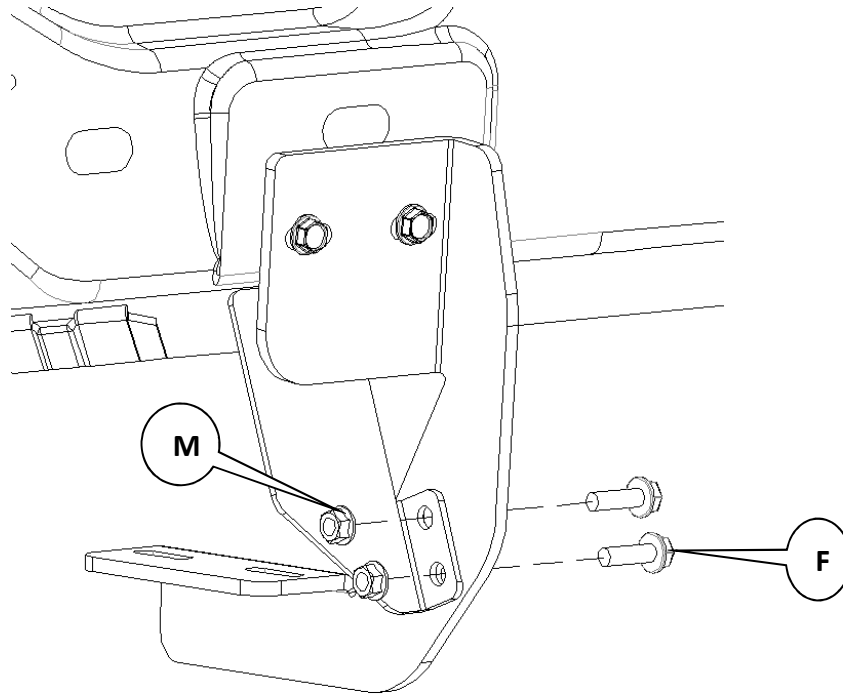
**5**

Using two carriage bolts (H), two 1/4" washers (I), and two 1/4" nuts (J), loosely attach the support bracket (E) to the pinch weld in the truck. The bent flange with two holes in it should point up. Do not completely tighten.



6

Attach the support brace to the main brace using two 8mm bolts (F) and two of the 8mm flange nuts (M). Do not completely tighten. Repeat the support bracket installation at the other mounting locations.

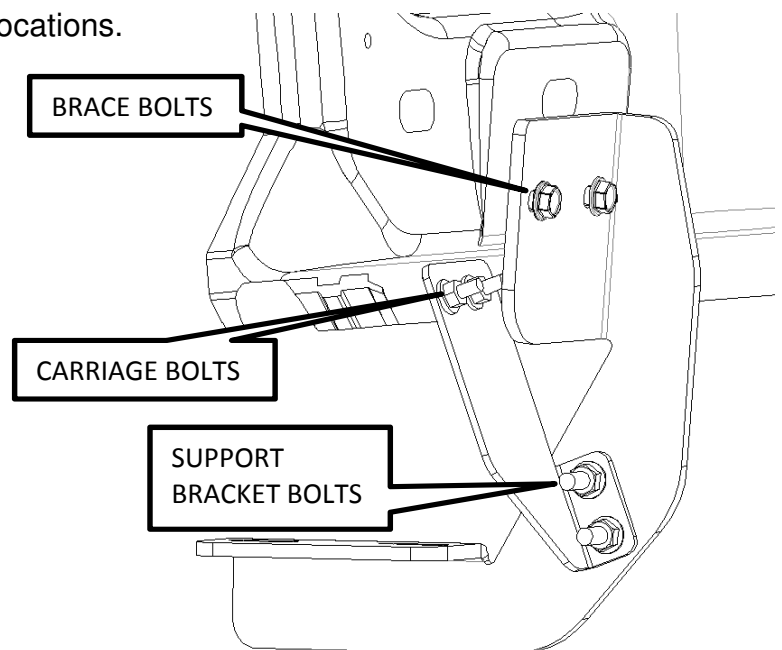
**7**

Using a 13mm wrench/socket, tighten the bolts attaching the brace to the vehicle.

Using a 7/16" wrench/socket, tighten the carriage bolts.

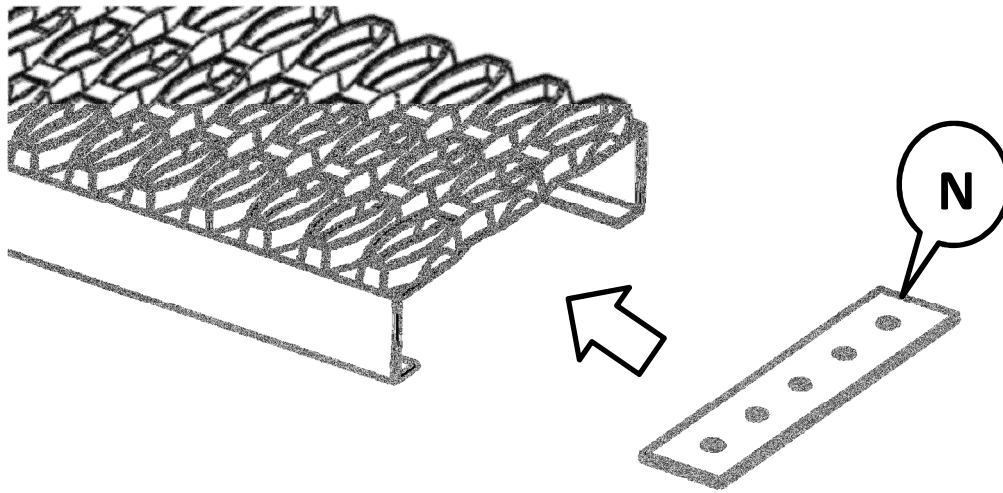
Using a 13mm wrench/socket, tighten the support bracket bolts.

Repeat this step at all brace mounting locations.

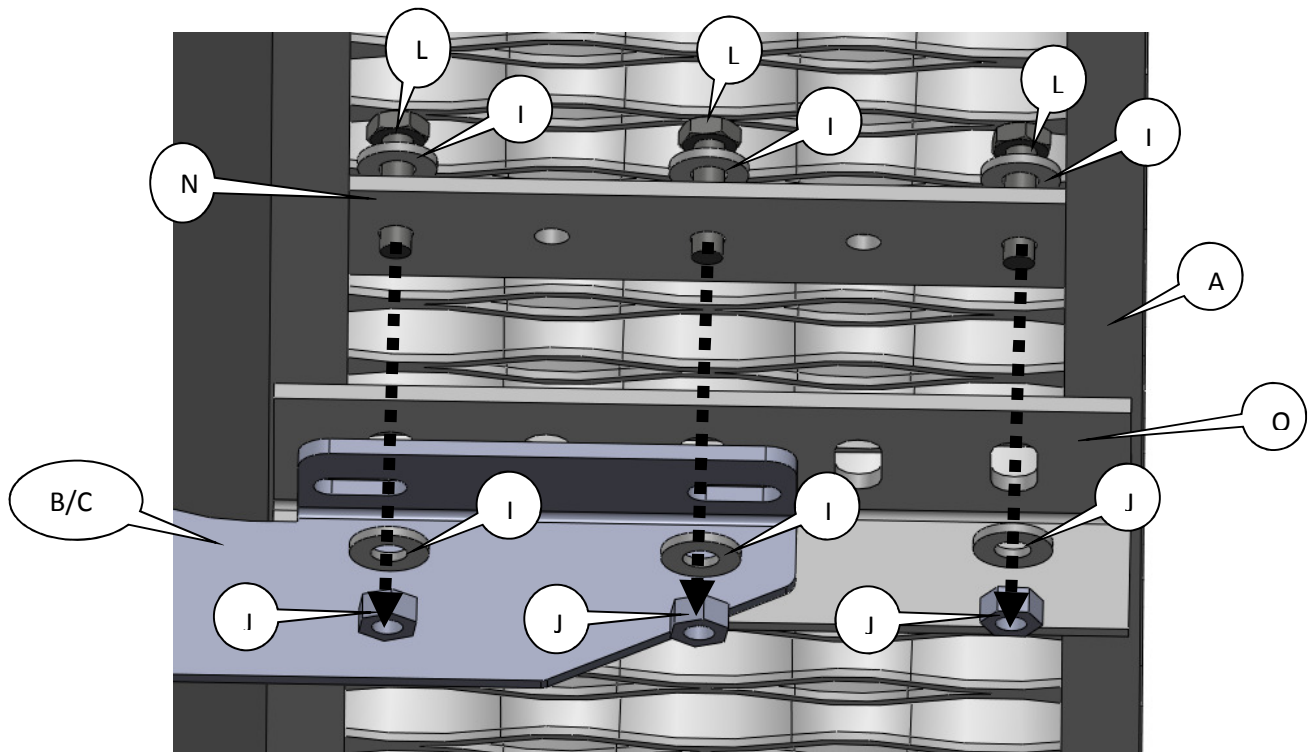


8

With the end caps off of the running board (A), slide strap brackets (N) into one of the ends on the running board. For Regular Cab use 2 strap brackets per board, and for both Quad Cab and Crew Cab use 3 strap brackets per board. After slide straps are installed, install the end caps onto both ends of the running boards.

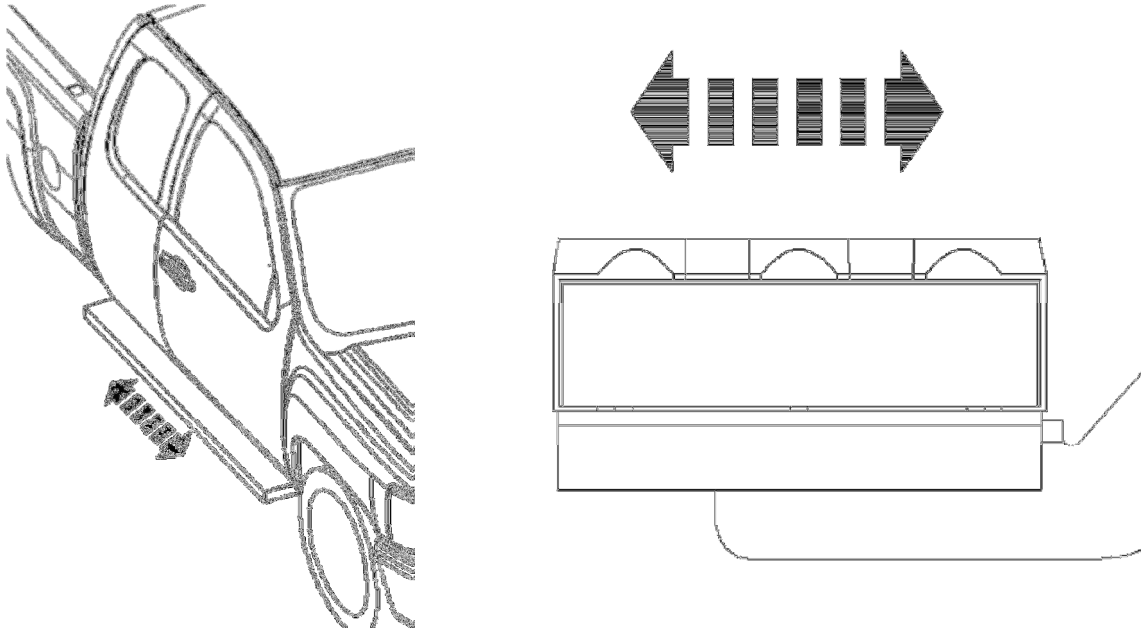
**9**

Align the strap brackets that were placed inside the board on the previous step with the braces that are attached to the vehicle (Braces B&C). Place an angle brace (O) on the brace board mounting area. Attach the running board to the brace using three bolts (L), six washers (I), and three nuts (J) at each location and repeat for all braces. Do not completely tighten the hardware at this time.



10

Align the board with the vehicle from to back and in/out.



Once the board is in the desired location, tighten the bolts that attach the board to the brace using a 7/16" wrench and socket.

Make sure all bolts are tightened. Repeat steps for other side.